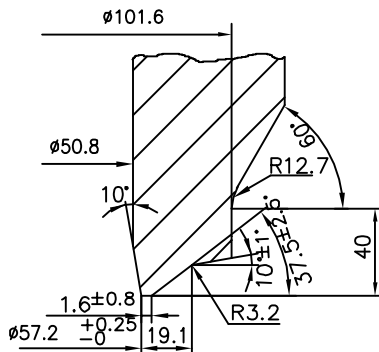
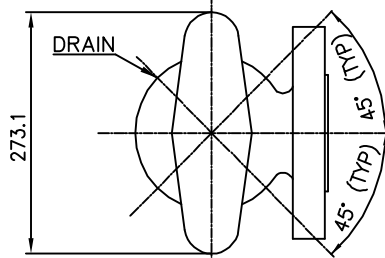
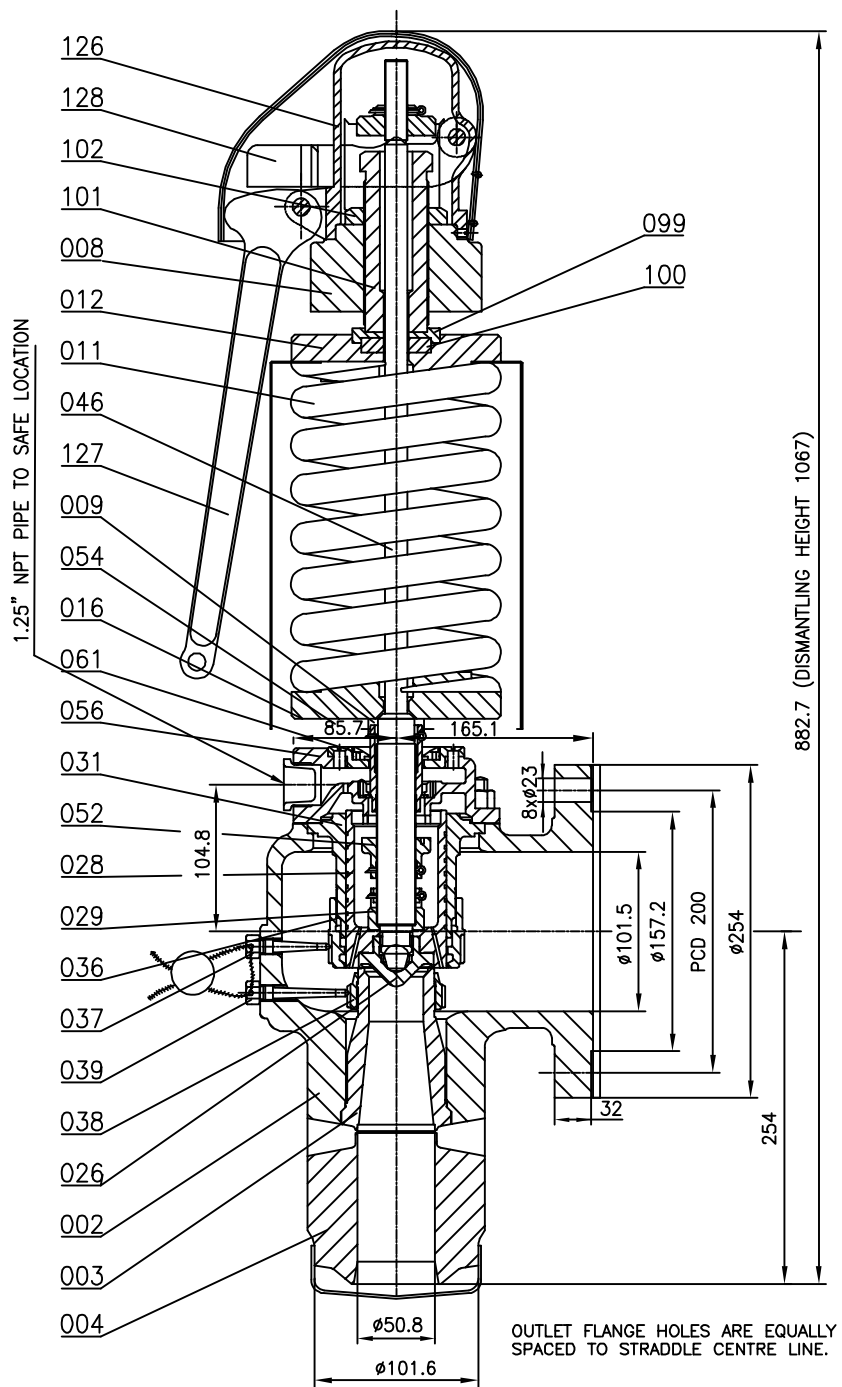


CAP AND LEVER MAY BE ROTATED HORIZONTALLY 45 DEGREES TO EITHER SIDE OF CENTER LINE



EDGE PREPERATION



COMP NO.	PARTS	MATERIALS	COMP NO.	PARTS	MATERIALS
002	BASE	SA216-WCB	038	LOWER ADJ.RING	STAINLESS STEEL
003	SEAT BUSHING	STAINLESS STEEL	039	LOWER ADJ.RING PIN	STAINLESS STEEL
004	INLET NECK	SA-105	046	SPINDLE	STAINLESS STEEL
008	YOKE	CARBON STEEL	052	LIFT STOP	STAINLESS STEEL
009	YOKE ROD	ALLOY STEEL	054	OVERLAP COLLAR	STAINLESS STEEL
011	SPRING	ALLOY STEEL	056	COVER PLATE	CARBON STEEL
012	TOP SPG WSHR ASSY	CARBON STEEL	061	TOP PLATE	ALLOY STEEL
016	BOTTOM SPG WSHR	CARBON STEEL	099	ADAPTOR	STAINLESS STEEL
026	DISC	STAINLESS STEEL	100	THRUST BEARING	STEEL
028	DISC HOLDER	COPPER NICKEL ALLOY	101	SPRING ADJUSTER	COPPER NICKEL ALLOY
029	DISC COLLAR	STAINLESS STEEL	102	SPG.ADJ.LOCK NUT	COPPER NICKEL ALLOY
031	GUIDE	COPPER NICKEL ALLOY	126	CAP	CARBON STEEL
036	UPPER ADJ. RING	STAINLESS STEEL	127	DROP LEVER	CARBON STEEL
037	UPPER ADJ. RING PIN	STAINLESS STEEL	128	TOP LEVER	CARBON STEEL

NOTE: FOR OTHER TECHNICAL DETAILS REFER SV SPECIFICATION SHEET.

ORIFICE	2
AREA	9.22 sq.cm.
LIFT	8.57 mm.
APP. WEIGHT	91 kg.
INLET	2"-BUTT WELD
OUTLET	4"-300# ANSI B16.5, RF SMF.
SPECIALITIES	NIL

BHEL RESERVES THE RIGHT TO THE USE OF ALTERNATE / EQUIVALENT MATERIALS.

ASSY. PART NO. 7114004100



TITLE
SAFETY VALVE
(1728-WBS3)

DRG. NO.
CON:SV:7114

REV.	PRE	A.Paramasivam	01.02.13
02	CHD	S.Madhulingam	
	APP	E.Athiannavi	